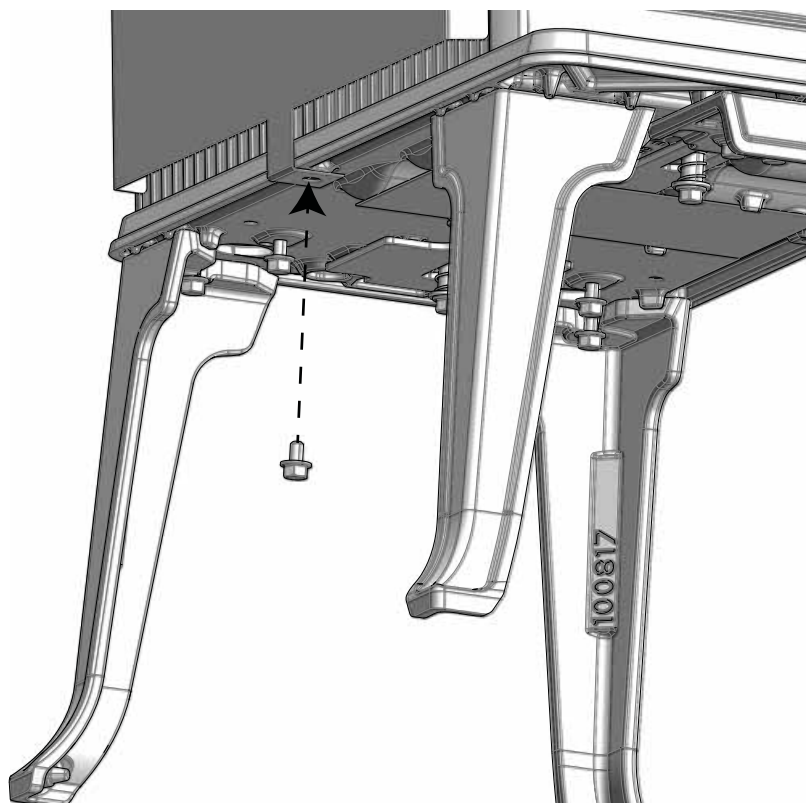


1. Hook the heat shield into the groove under the top plate.
2. Bend the shield plate towards the oven.
3. The heat shield can be mounted on either the right or left side (possibly both sides if required).



4. Screw the heat shield to the underside of the product, with the screw included in the bag of screws.